

# Maeda Mini Crawler Cranes

Little cranes with **BIG** ideas

---



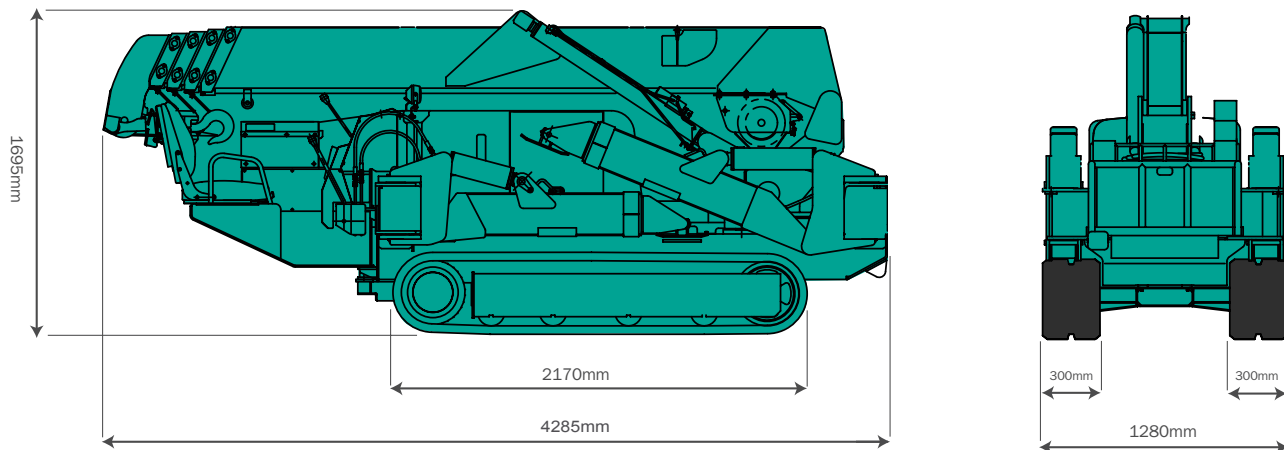
For further details please contact Pace Cranes. Due to improvements, the specifications are subject to change without notice.



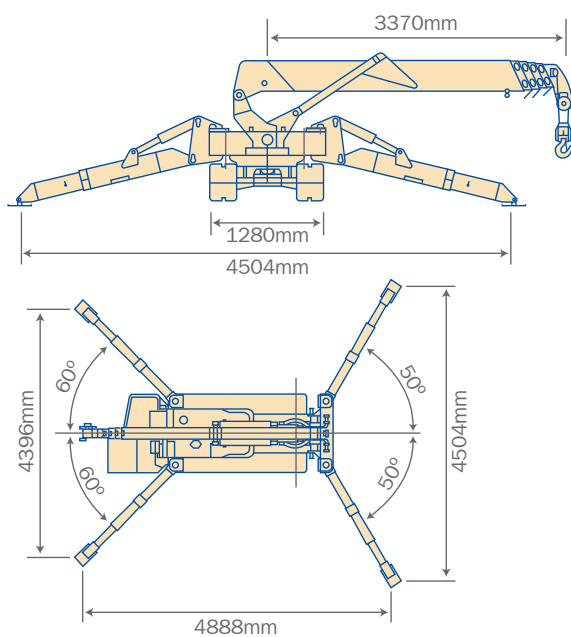
P.A. Construction Equipment P/L  
5-7 Lorraine Street,  
Peakhurst, NSW 2210  
PO Box 377, Mortdale, NSW 2223  
Ph: 02 9533 5411  
Fx: 02 9533 5585  
email: [sales@pacecranes.com.au](mailto:sales@pacecranes.com.au)  
[www.pacecranes.com.au](http://www.pacecranes.com.au)



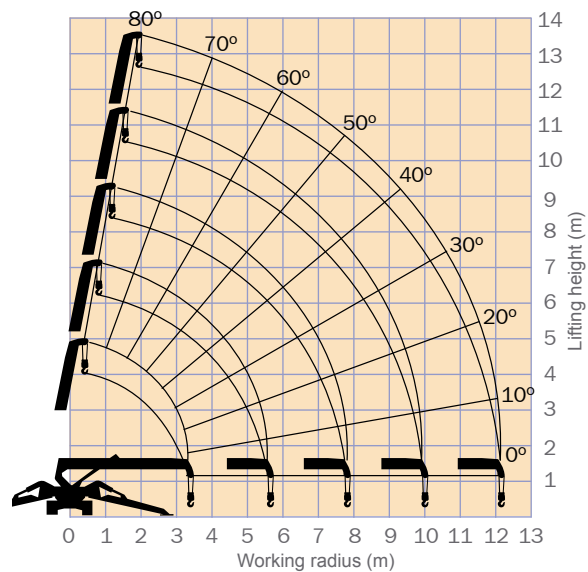
## Overall Size



## Outrigger Spread Dimensions



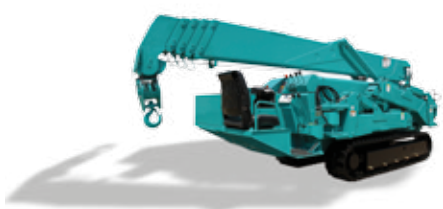
## Working Range Chart



The Working Range Chart does not take into account boom deflection under load.

The maximum reach below ground level is:

Four Fall	Two Fall	Single Fall
16.09m	32.18m	64.36m



# Maeda MC305c-2 Load Charts

## Total rated load Outriggers at Maximum position

5.945m boom		8.145m boom		10.315m boom		12.485m boom	
Working radius (m)	Total rated load (kg)	Working radius (m)	Total rated load (kg)	Working radius (m)	Total rated load (kg)	Working radius (m)	Total rated load (kg)
< 2.5	2980	2.7	2270	4.0	1080	< 4.5	790
3.0	2390	3.0	2120	4.5	985	5.0	660
3.5	1990	3.5	1680	5.0	880	6.0	520
4.0	1710	4.0	1440	6.0	770	7.0	430
4.5	1490	4.5	1260	7.0	670	8.0	380
5.0	1340	5.0	1110	8.0	570	9.0	340
5.62	1160	5.5	990	9.0	500	10.0	310
		6.0	880	9.99	435	11.0	280
		7.0	730			12.16	260
		7.82	630				

## Total rated load Outriggers at Intermediate position

5.945m boom		8.145m boom		10.315m boom		12.485m boom	
Working radius (m)	Total rated load (kg)	Working radius (m)	Total rated load (kg)	Working radius (m)	Total rated load (kg)	Working radius (m)	Total rated load (kg)
< 2.5	2980	2.7	2270	4.0	1060	< 4.5	780
3.0	2390	3.0	2090	4.5	950	5.0	650
3.5	1960	3.5	1680	5.0	860	6.0	500
4.0	1680	4.0	1420	6.0	750	7.0	410
4.5	1380	4.5	1240	7.0	630	8.0	360
5.0	1140	5.0	1070	8.0	490	9.0	320
5.62	950	5.5	950	9.0	410	10.0	290
		6.0	800	9.99	350	11.0	260
		7.0	610			12.16	250
		7.82	520				

## Total rated load Outriggers at Minimum position

5.945m boom		8.145m boom		10.315m boom		12.485m boom	
Working radius (m)	Total rated load (kg)	Working radius (m)	Total rated load (kg)	Working radius (m)	Total rated load (kg)	Working radius (m)	Total rated load (kg)
< 2.5	2980	2.7	2270	4.0	1060	< 4.5	780
3.0	2350	3.0	2090	4.5	950	5.0	650
3.5	1800	3.5	1680	5.0	860	6.0	500
4.0	1430	4.0	1370	6.0	680	7.0	410
4.5	1140	4.5	1120	7.0	530	8.0	360
5.0	950	5.0	910	8.0	420	9.0	320
5.62	790	5.5	790	9.0	340	10.0	290
		6.0	670	9.99	300	11.0	240
		7.0	510			12.16	210
		7.82	430				

The Total Rated Load Charts are based on the actual working radius including boom deflection. The weight of the hook (standard 4 fall - 30kg) must be included as part of the load shown in the Total Rated Load Charts.

When using two fall or single fall hooks, use the appropriate four fall Total Rated Load Chart above but with a **maximum** load of: Two Fall - 1480kg, Single Fall - 750kg.





# Maeda MC305c-2

## Technical specifications

Offering the best balance of power and design



- Two Travel Speeds
- Programmable Moment Limiter
- Rubber Tracks
- Hydrostatic Transmission
- Centralised Controls
- 4 Fall / 2 Fall Hook Block
- Automatic Hook Stowage System
- Tilt Sensor/Alarm
- Powerful Winch with Hydraulic Disc Brake
- Two Speed Winch
- Fully Automatic Pentagonal Section Boom
- Cable Remote Controller

Specification		
<b>Model</b>		MC305C-2
<b>Crane capacity</b>		2.98t x 2.5m
<b>Max. working radius</b>		12.16m
<b>Max. lifting height</b>		12.52m
<b>Hook speed</b>		13.5m / min. (4 falls, 4th layer)
<b>Single line speed</b>		54m / min. (4th layer)
<b>Hoist rope</b>		IWRC 6 x WS(26) 8mm x 73m
<b>Telescopic system</b>	Boom length Telescoping speed Boom type	3.695m - 12.485m 8.79m / 38 sec. (26 sec.) Fully automatic 5 section pentagonal telescopic boom
<b>Boom hoist system</b>	Hoist angle / speed	0 - 80° / 21 sec. (14.5 sec.)
<b>Slew system</b>	Slew angle / speed	360° / 2.4 rpm (1.7 rpm)
<b>Outrigger system</b>	Type Maximum extended dimensions	Extension and set up by direct acting hydraulic cylinders (Length) 4888mm x (Front) 4504mm x (Rear) 4396mm
<b>Traction system</b>	Drive Travel speed Gradability Crawler length x width Ground pressure	Hydraulic motor driven, stepless speed changer 0 - 2.8 km/h (1.3 km/h) 23° 1750mm x 300mm 36.3 kpa (0.37 kgf/cm <sup>2</sup> )
<b>Engine</b>	Model Type Rated output Starting method Fuel / Fuel tank capacity	Yanmar 3TNV76 3 cylinder water cooled diesel, 1.15 litre. 15.2kw / 2500min <sup>-1</sup> (20.7PS/2500rpm) Electric Diesel / 40L
<b>Remote control system</b>	Type	Cable remote controller, micro-speed mode, load display for transmitter, outrigger operation
<b>Dimensions</b>	Length x Width x Height Weight MC305C-2	4285mm x 1280mm x 1695mm 3900kg 4040kg (with electric motor)
<b>Standard equipment</b>		Overwind protection, load indicator, hydraulic safety valve, wire rope latch, level, machine body inclination alarm, EMO switch, travel lock lever, outrigger interlock device, moment limiter, rotary lamp, hour-meter, 4-fall / 2-fall hook block
<b>Optional equipment</b>		Radio remote control, white rubber tracks, single fall hook, searcher hook. Electric motor.